

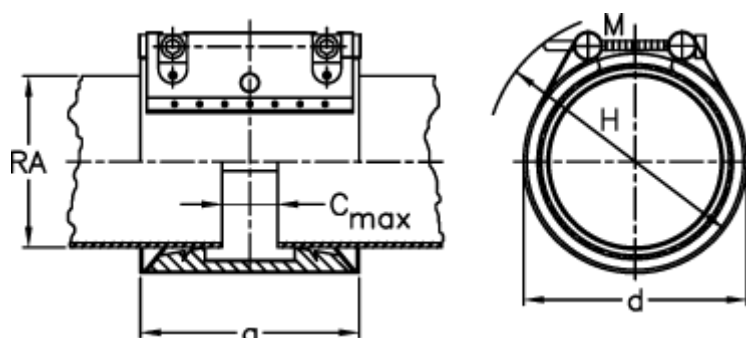
# Data Sheet



Article number: 025799100159

Description: Norma Connect pipe coupling  
GRIP E W2 Ø=159,0 EPDM, 16 bar

## Measures



a	= 115
C max with insertion band	= 35
d	= 185
H	= 215
M (screw)	= M12
Nominal pressure (bar)	= 16
RA	= 159
RA min-RA max	= 157,4-160,6

Weight a piece = 2.7